

**YOUR
WORLD LEADER
IN
FERTILIZER
COMPACTION**



Model
2826



“Your Trusted Partner”

Ludman Industries provides process solutions, equipment and services with unsurpassed quality and reliability.

Offering on-site support, service & training, roll rebuild services and OEM replacement parts.

Model
#4440



“Experience the Ludman Difference”



Ludman Industries

4810 North 124th Street
Milwaukee, WI 53225 USA
P 414-431-3500 | F 414-431-1850
E-mail: sales@ludman.net
www.ludman.net

Thank you to all of our past, present and future clients.



Ludman Compactors

Better Quality Better Design Better Support

Better Results from fines to granules

The roll compactor is designed to give you an economical, high volume, mechanical means to upgrade or convert fines by agglomeration into sellable granular product.

The roll compactor is also used for the agglomeration of fines into flakes for pyroprocessing or briquettes... increasing product bulk density and controlling the product solubility rate.

Smooth, corrugated or pocketed rolls exert high pressures on fines passing between them. A solid ribbon or briquette product results, with new characteristics of strength that can be processed or granulated to a desired finished product or granule size.

Typical Material Applications

Ammonium Sulphate	FGD Gypsum	Phosphate Rock
Ashes	Filter Dusts	Potash Fines
Burned Lime	Herbicide	Potassium Sulphate
Calcium Hypochlorite	Iron Oxide	Rock Salt
Chrome Ore	Magnesite	Salt
Clay	Magnesium Oxide	Sewage Sludge
Coal	Metal Chips, Borings	Soda Ash
Copper Concentrate	Mill Scale	Sodium Chloride
Detergents	Mixed Fertilizer	Sodium Cyanide
Dried Sewage Sludge	Muriate of Potash	Steelmill Residues



Forging Innovation Building Quality

4810 N. 124th Street, Milwaukee, WI 53225 USA

P 414-431-3500 • F 414-431-1850

E-mail: sales@ludman.net • www.ludman.net

Better Technology

Ludman's prestressed heavy duty frames minimize deflections and ensure maximum separating forces are transmitted to the product. The rolls of the roll compactor exert extremely high pressures on the fines as they pass through forming a solid ribbon or briquette of product with sufficient new character and strength. The product may then be further processed or granulated into a desirable particle size.

Cost saving features are many. Initial investment and operating costs are wholly consistent with the economies of recovery, and maintenance costs are low. The roll compactor can be integrated into your existing operation with little or no alteration.

Costly feed preparations, such as inclusion of additives or binders, are rarely required and the process can be controlled by an operator with a minimum of technical training.

Heavy-Duty Mill Rolls

The Compactor mill is equipped with heavy-duty, hardened alloy rolls. The greater depth of uniform, wear-resisting metal means longer roll life, and corrugating insures a highly effective grabbing surface at the point of nip.



Roll Compactor Available Options

Main Rolls

- One or Two Piece Rolls
- Thru Hardened Rolls
- Welded Hard Faced Rolls
- Chrome Plating or Nitride Roll Face
- Custom Roll Corrugations
- Water Cooled Rolls
- Roll Speed Timing Coupling
- Horizontal Roll Removal System

Main Drive

- Hydraulic or Mechanical Drive System
- Fixed Speed or Variable Speed Drive System
- Single or Double Shaft Drives

Main Bearings

- Babitted Journal Bearings
- Spherical Roller Bearings

Roll Pressure System (#of cylinders)

- One Per Side
- Two Per Side

Product Feeder

- Gravity Feeder - Gated or Non-Gated
- Force Feeder - Single or Twin Screw

Design Accessories

- Integrated Control Panels
- Integrated Granulator or Roll Crusher
- Stainless Steel Contact Surfaces
- Custom Designed Work Platforms

Weights and Dimensions

Dimensions are for preliminary layout only and are not to be used for construction purposes.

Model #	Roll Dimensions		Maximum Roll Separating Force (Tons)	Approximate Dimensions (inches)			Approx. Weight of Bare Mill (lbs)	Horsepower Recommended
	Diameter	Length		A	B*	C**		
1208	12	8	50	4'5"	3'2"	2'7"	4,800	50-75
2408	24	8	100	7'1"	3'8"	9'9"	12,000	75-125
2012	20	12	150	7'11"	5'3"	10'6"	16,000	100-200
2812L	28	12	150	7'11"	4'10"	11'1"	16,500	150-250
2812	28	12	300	7'11"	5'10"	11'1"	31,800	200-300
2820	28	20	300	7'11"	6'4"	11'1"	36,500	400-500
2824	28	24	300	9'5"	6'7"	11'1"	36,500	400-500
2826	28	26	325	9'5"	6'9"	11'1"	50,000	500-600
3624	36	24	450	10'11"	8'1"	13'5"	67,000	500-700
3625	36	25.5	650	11'0"	8'5"	13'5"	85,000	600-800
4040	40	40	800	11'9"	11'10"	19'4"	134,100	1000-1400
4440	44	40	850	13'0"	12'0"	19'4"	139,000	1200-1600

*Less speed reducer, couplings, motor and V-belt drive

**Less feed hopper and feeder

- This information may be subject to change -

The Ludman Difference is Robust Construction



Ludman Industries USA

Model # 3624

Our Ludman Industries Model 3824 Compactor is used in the compaction of fines. The mill compacts up to 70 tons per hour of fines into a solid sheet, ready for further processing into granular and coarse product.

Specifications:

Rolls 36" diameter x 24" face

Separating force of 450 tons

Connected Power: 500-700 H.P.

Dimensions: 10'11" x 8'1" x 13'5"

Weight (without drive): 67,000 lbs

**Drive: Dual output shaft gearbox
with variable speed drive**

Hydraulic drive available



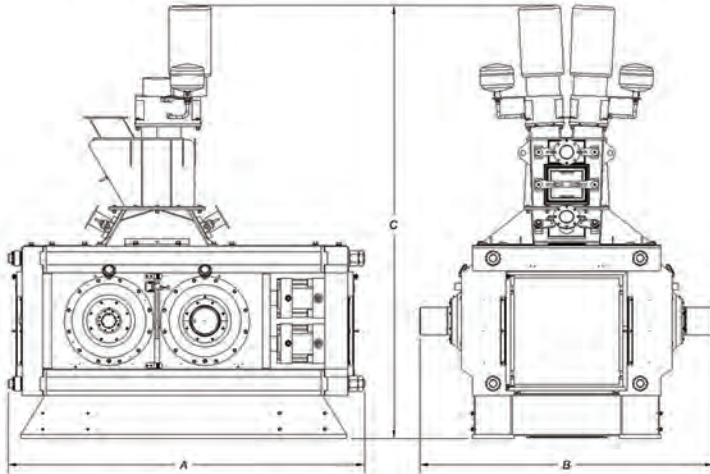
Forging Innovation Building Quality

4810 N. 124th Street, Milwaukee, WI 53225 USA

P 414-431-3500 • F 414-431-1850

E-mail: sales@ludman.net • www.ludman.net

WE DESIGN & BUILD TO MEET YOUR NEEDS



Model #	Roll Dimensions		Maximum Roll Separating Force (Tons)	Approximate Dimensions (inches)			Approx. Weight of Bare Mill (lbs)	Horsepower Recommended
	Diameter	Length		A	B	C		
3624	36	24	450	10'11"	8'1"	13'5"	67,000	500-700

Typical Material Applications

Ammonium Sulphate	FGD Gypsum	Muriate of Potash
Ashes	Filter Dusts	Phosphate Rock
Burned Lime	Herbicide	Potash Fines
Calcium Hypochlorite	Iron Oxide	Potassium Sulphate
Chrome Ore	Magnesite	Rock Salt
Clay	Magnesium Oxide	Salt
Coal	Metal Chips	Sewage Sludge
Copper Concentrate	Borings, Turnings	Soda Ash
Detergents	Mill Scale	Sodium Chloride
Dried Sewage Sludge	Mixed Fertilizer	Sodium Cyanide
		Steelmill Residues

Roll Compactor Available Options

Main Rolls

- One or Two Piece Rolls
- Thru Hardened Rolls
- Welded Hard Faced Rolls
- Chrome Plating or Nitride Roll Face
- Custom Roll Corrugations
- Water Cooled Rolls
- Roll Speed Timing Coupling
- Horizontal Roll Removal System

Main Drive

- Hydraulic or Mechanical Drive System
- Fixed Speed or Variable Speed Drive System
- Single or Double Shaft Drives

Main Bearings

- Babitted Journal Bearings
- Spherical Roller Bearings

Product Feeder

- Gravity Feeder - Gated or Non-Gated
- force Feeder - Single or Twin Screw

Design Accessories

- Integrated Control Panels
- Integrated Granulator or Roll Crusher
- Stainless Steel Contact Surfaces
- custom Designed Work Platforms

Roll Pressure System (#of cylinders)

- One per side
- Two per side

The Ludman Difference is Robust Construction



Our Services

- Manufacture
- Rebuild / Upgrade
- Repair
- Replacement Parts
- Technical Support
- Field Service
- Lab Testing
- Engineering / Design
- Quality Control / R&D
- Packaging
- Training

Model # 3624



Ludman Granulators

Ludman Roll Crushers or Granulators offer the latest technology, design, reliability & superior performance, far superior and more efficient at producing more on size product than chain mills, hammer mills, cage mills. Ludman roll crushers are designed for gradual size reduction in one, two, or three stages per unit depending upon the ratio of feed size to desired finished product size.

Proper selection of speed and differential, separating force, clearance, and number and type of corrugations, the roll crusher may be arranged to granulate, grind, pulverize, crack, crumble, or fracture an unlimited number of materials, chemicals, minerals, and plastics. The differential speed of smooth or corrugated rolls permits the production of a narrow range of particle sizes with a minimum of objectionable oversize and undersize particles.

Features:

- High Capacity Granulating Mill • Large Throughput • Pneumatic or Mechanical Roll Pressure
- Simplified Design • Extended Roll Life • Accurate Product Control • Positive Roll Alignment
- High Efficiency • Easy to Maintain



Model 1042-2



Forging Innovation Building Quality

4810 N. 124th Street Milwaukee, WI 53225 USA

P 414-431-3500 • F 414-431-1850

E-mail: sales@ludman.net • www.ludman.net

The Ludman Difference

Single Reduction

...single-stage grind...uniform granulation with minimum fines.



Double Reduction

...double-stage grind...recommended where no separation is necessary between reductions.



Triple Reduction

...triple-stage grind...recommended where no separations are necessary between second and third reductions.



Longitudinal rolls are available with a combination of different corrugations which provide a cutting, shearing, tearing or compounding action for the processing of material.

Ludman Roll Crushers or Granulating Mills give you the following benefits:

- Far Greater Roll Life**
 Centrifugally cast circle-chill rolls last longer. Maximum depth of hardness permits maximum recorrugations before replacement.
- Roll Set and Release**
 A simple touch of the lever moves rolls in or out of grinding position without disturbing grinding adjustment.
- Uniform Feed Distribution**
 Is provided by roll feeder and results in uniform wear on roll faces - rolls last longer.
- Sanitary Housing**
 All welded heavy steel plate frame has straight lines means no pockets or dust traps.
- Antifriction Bearings Throughout**
- Positive Product Quality Control**
 A turn of calibrated jackscrew presets desired roll gap, lock mechanism maintains setting indefinitely.
- Low Capital Investment per ton of output**
 The mill is unsurpassed as the most efficient double roller mill.
- Positive Drive Differential**
 The speed ratio between fast roll and slow roll is accurately maintained through either a silent roller chain and sprocket drive or multiple v-belts.
- Exact Roll Alignment**
 This is easily maintained. Tramming is made simple with adjustment of large eccentric nut provides uniform grinding along entire roll length.

Approximate Weights & Dimensions

Dimensions are for preliminary layout only and are not to be used for construction purposes.

Description	Model	Roll Dimensions (inches)		Fast Roll RPM	Approx. Dimensions (inches)				Approximate Weight (pounds)	Horsepower Range
		Diameter	Length		A	B		C		
						*	**			
One Pair High Two Roll Mill	930-1	9	30	500-700	36	54	62	68	2,700	5-10
	1042-1	10	42	500-700	37	55	63	82	4,000	10-20
Two Pair High Four Roll Mill	930-2	9	30	500-701	36	54	62	68	5,200	10-20
	1042-2	10	42	500-702	37	55	63	82	7,000	15-30
Three Pair High Six Roll Mill	930-3	9	30	500-703	36	54	62	68	7,000	15-25
	1042-3	10	42	500-704	37	55	63	82	11,300	25-40

* With Hopper **With Integral Roll Feeder



Ludman Industries Compactors

Quality & Reliability

**For more information
about
Ludman Compactors**

**E-mail:
sales@ludman.net**

**Phone:
414-431-3500**

www.ludman.net

